

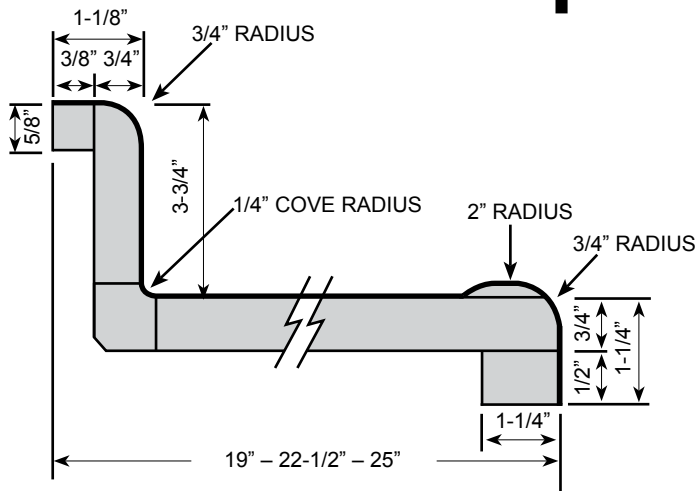
## ULTRA-TOP Traditional

ULTRA TOP Traditional has been the top choice in the industry for over 40 years. This one has all the features built right in. A raised rolled edge on the front nose meets the needs of today's fast paced lifestyle. Beautiful and functional. . . it stops those messy spills from dripping over the edge and still looks great!

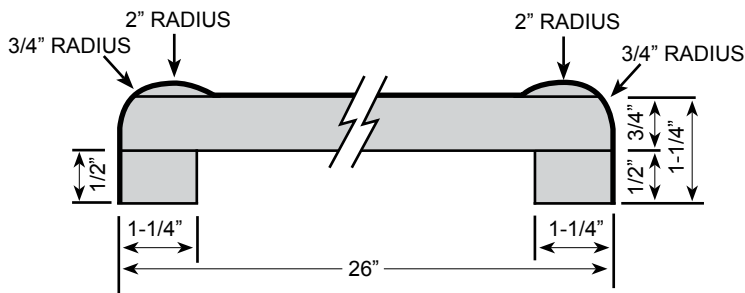
ULTRA TOP Traditional first in the series of countertops from the nation's #1 manufacturer of kitchen countertops. Precision, unsurpassed quality, and integrity. . . the trademark of Hartson-Kennedy.



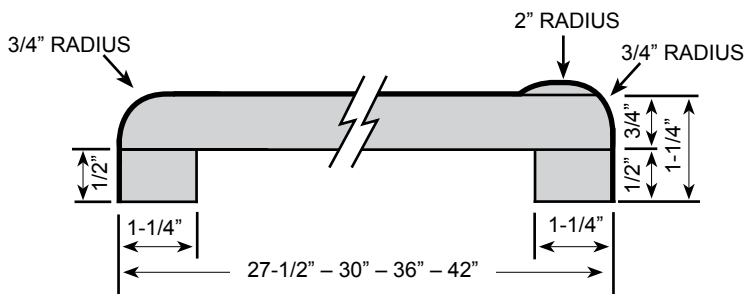
# No-Drip



**KITCHEN & VANITY TOP**

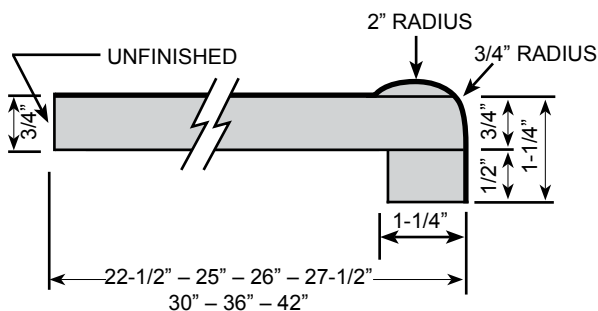


**BAR TOP**



**BAR TOP**

**NOTE: 12", 15", 18" bars available in Waterfall style.**



**FLAT DECK TOP**

## Features:

- No-drip front nose, 1-1/4" thick
- 1/4" cove radius for easy cleaning
- 3/8" scribe for fitting out-of-square walls
- 1-1/4" front build-up for floating countertop installation
- Kitchen and vanity tops feature 3-3/4" backsplash
- 26" standard bars are no-drip both sides
- Wide bars are no-drip one side with 3/4" roll radius back side
- Flat deck tops have no-drip front nose, raw back side



Premium Surfacing

210 Lincoln Street  
Manchester, NH 03103  
800.899.2444 F 603.647.6770  
www.counterproinc.com

**Professional unsurpassed quality...  
the trademark of Hartson-Kennedy  
surfaces for living**



visit our website at:  
[www.hartson-kennedy.com](http://www.hartson-kennedy.com)

Hartson-Kennedy  
Cabinet Top Co., Inc.

CORPORATE HEADQUARTERS  
P. O. Box 3095, Marion, IN 46953  
Phone: 800-388-8144 • FAX: 765-662-3452



MADE IN U.S.A.